

XR1464C

Constant Coverage HF Horn

KeyFeatures

- 1.4 inch throat entry
- High damping composite structure
- Uniform on-axis and off-axis frequency response
- 60° x 40° horizontal and vertical constant coverage
- Very low distortion at high sound pressure
- Optimized weight thanks to composite material

Description

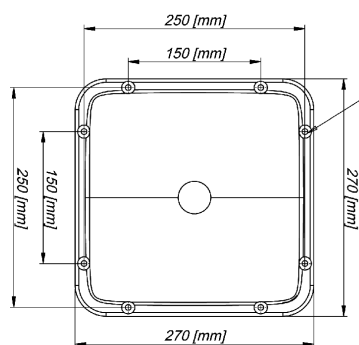
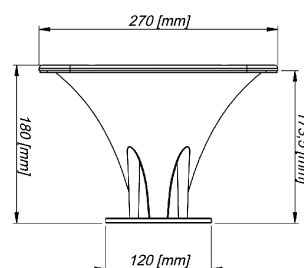
The XR1464C is a 1.4 inch throat entry constant directivity horn. The horn has been developed to reach optimum performances when it will be coupled with 1.4 inch exit Eighteen Sound high frequency compression drivers.

All XR series horns have been designed in order to reach smooth driver frequency response, to maintain constant coverage and directivity and eliminating the midrange narrowing and high frequency beaming problems common of many similar horns on the market.

The XR1464C maintains nominal 60° Horizontal x 40° Vertical pattern control. It provides consistent on-axis and off-axis frequency response from 1,2kHz to 16kHz in both horizontal and vertical planes. Horn directivity is constant down to 1,2kHz

Models

Model	Code	Info
XR1464C	0421464C00	



n. 8 holes for flathead screws M6

XR1464C

Constant Coverage HF Horn

General Specifications

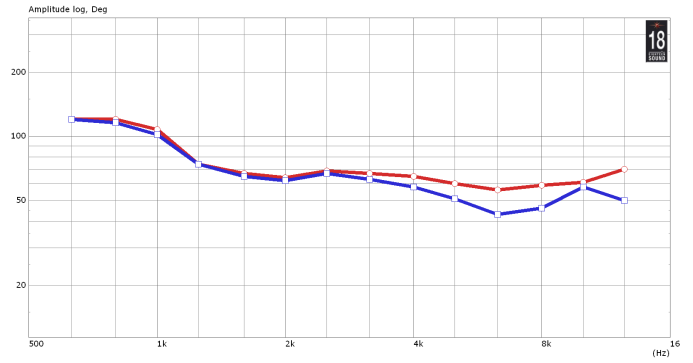
Throat Diameter	35,5 mm (1,4 in)
Horizontal Coverage -6db	60° (10 - -2) average range (1,25kHz - 12,5kHz)
Vertical Coverage -6db	40° (25 - 0) average range (1,25kHz - 12,5kHz)
Directivity Index	11 dB (2 - -1) average range (1,25kHz - 12,5kHz)
Usable Frequency Range	Above 800 Hz
Recomm. Xover Frequency	800 Hz or more
Sensitivity	110 dB
Frequency Range	800 Hz - 18KHz
Material	Composite material

Mounting information

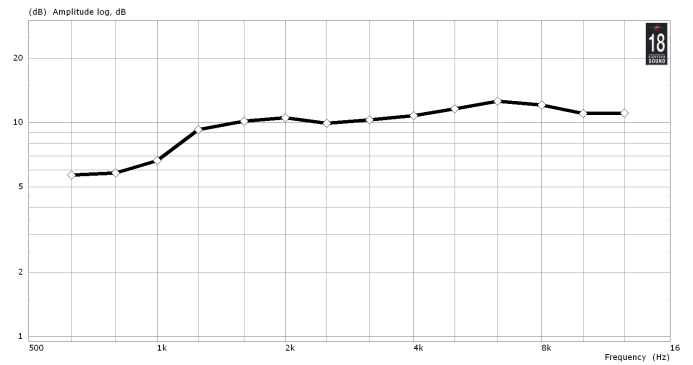
Template: detail_t_mountinghorns.html

Notes

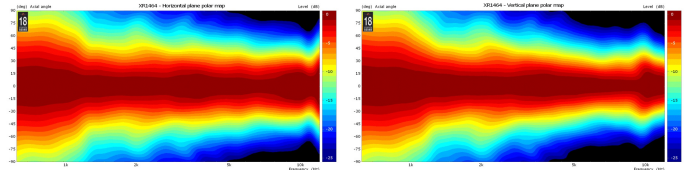
1) Sensitivity is measured at 1W input on ND1480 rated impedance at 1m on axis from the mouth of the horn, averaged between 1kHz and 4 kHz.



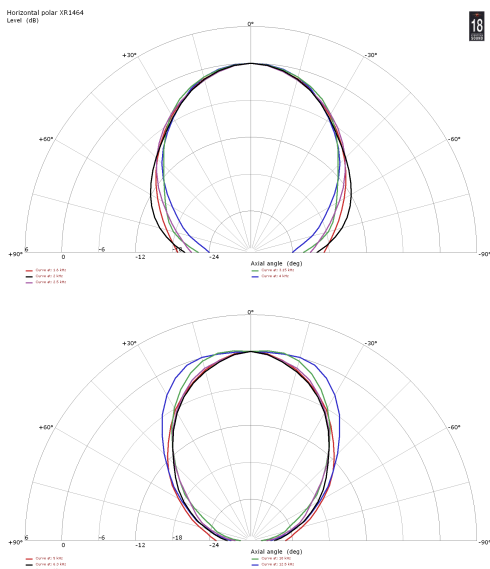
HORIZONTAL BEAMWIDTH - RED PLOT - VERTICAL BEAMWIDTH - BLUE PLOT - A



DIRECTIVITY INDEX - B Horizontal and Vertical Polar Directivity Map



HORIZONTAL 1/3 OCTAVE POLAR PLOTS



VERTICAL 1/3 OCTAVE POLAR PLOTS

