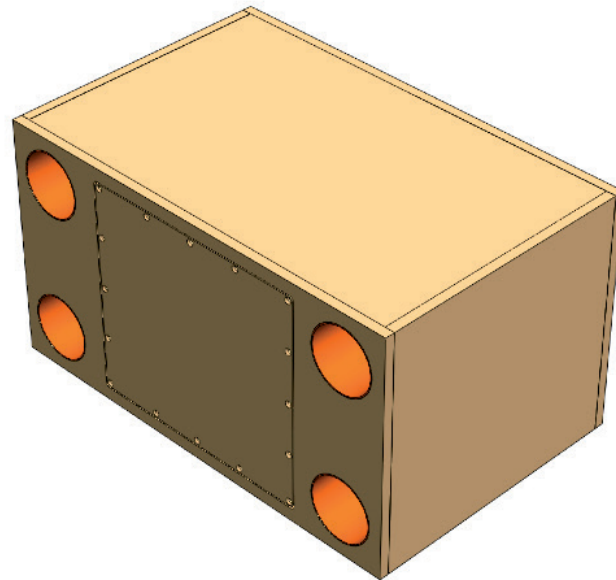




PROFESSIONAL  
LOUDSPEAKERS

## APPLICATION NOTE



BUILDING AN EFFECTIVE, 12" BANDPASS SUBWOOFER

# KEY FEATURES

## THE SYSTEM

This proposed loudspeaker system is a compact band pass enclosure that can deliver powerful and clean bass sound. The frequency extension can range from 38Hz to 120Hz although the DSP presets suggest to use it from 40Hz to 100Hz.

The system can be suitable for a range of applications where powerful and well defined low frequency reproduction is required for music reproduction in clubs, listening rooms and small disco.

The system philosophy is based on dual tuning reflex enclosure and its shape has been kept as simple as possible.

A well distributed internal disposition of damping material as Polyurethane foam or Polyester fiber is strongly required in order to avoid internal high order resonances. Additional equipping with handles, connection panel, frontal protection screen would be very useful for handling and flexibility on the use.

## THE WOOFER

The 12LW1400 is a very powerful and very well controlled high power 12" woofer. Its robust suspension system in conjunction with its high temperature 4" Aluminum Voice Coil allow it to handle very high power level, both thermal and mechanical: the interleaved sandwich voice coil allows for high thermal dissipation while double spider system allows for very well controlled large excursion.

**12LW1400** woofer key features:  
100 mm (4") interleaved sandwich voice coil  
Heat dissipation via unique basket design  
900W AES power handling  
96 dB SPL 1W / 1m average sensitivity



# KEY FEATURES

- > 100 mm (4") interleaved sandwich voice coil
- > Heat dissipation via unique basket design
- > 900W AES power handling
- > 96 dB SPL 1W / 1 m average sensitivity



12LW1400

## GENERAL SPECIFICATIONS

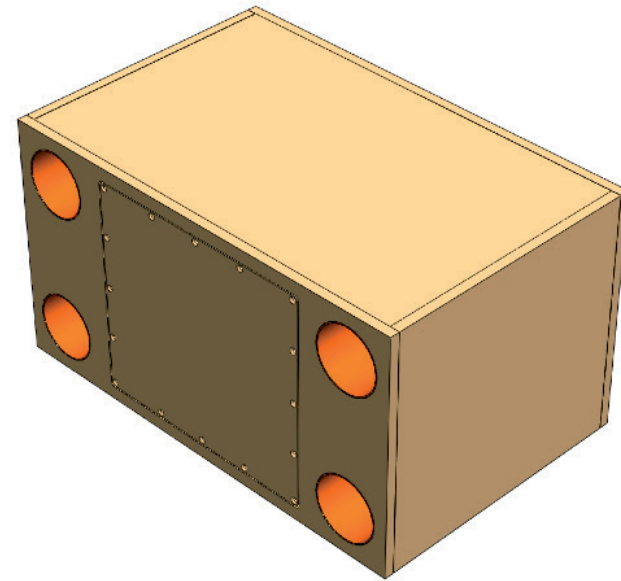
NOMINAL DIAMETER	300 mm (12 in)
RATED IMPEDANCE	8 Ohm
AES POWER	900W
PROGRAM POWER	1400 W
PEAK POWER	6000W
SENSITIVITY	96 dB
FREQUENCY RANGE	51 ÷ 4000 Hz
POWER COMPRESSION @-10dB	0,5 dB
POWER COMPRESSION @-3dB	2,2 dB
POWER COMPRESSION @0dB	3.0 dB
MAX RECOMM. FREQUENCY	1000 Hz
RECOMM. ENCLOSURE VOLUME	30 ÷ 60 lt. (1,06 ÷ 2,12 cuft)
MINIMUM IMPEDANCE	6,8 Ohm at 25°C
MAX PEAK TO PEAK EXCURSION	36 mm (1,4 in)
VOICE COIL DIAMETER	100 mm (4 in)
VOICE COIL WINDING MATERIAL	Aluminum
SUSPENSION	Triple roll, Polycotton
CONE	Straight, Paper

## THIELE SMALL PARAMETERS

Fs	45 Hz
Re	5,2 Ohm
Sd	0,053 sq.mt. (82,15 sq.in.)
Qms	5
Qes	0.32
Qts	0.3
Vas	55 lt. (1,94 cuft)
Mms	88 gr. (0,19 lb)
BL	20 Tm
Linear mathematical Xmax	± 8,25 mm (± 0,32 in)
Le (1kHz)	1,5 mH
Ref. Efficiency 1W@1m (half space)	1,5% (94 dB)

## KEY FEATURES

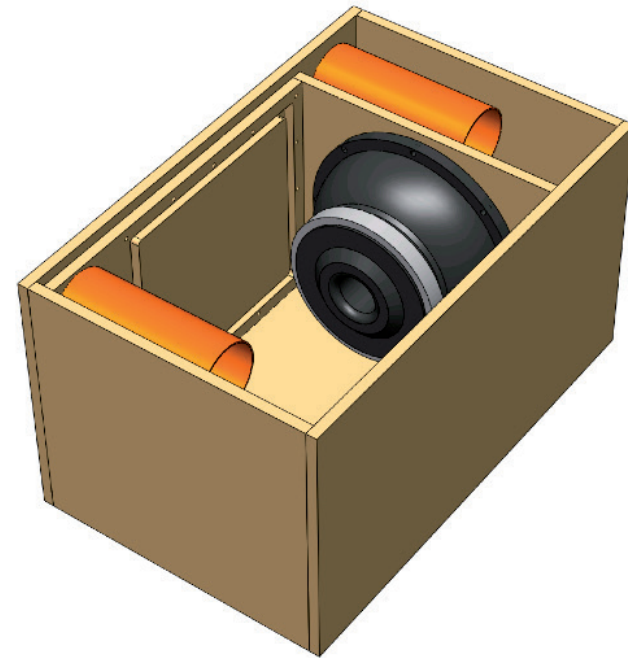
- > The enclosure should be made of Baltic birch plywood (15mm thickness)
- > Bolts are M6x35mm
- > M6 T-Nuts are recommended
- > Handling, rigging and connectors are user's choice



EXTERNAL VIEW

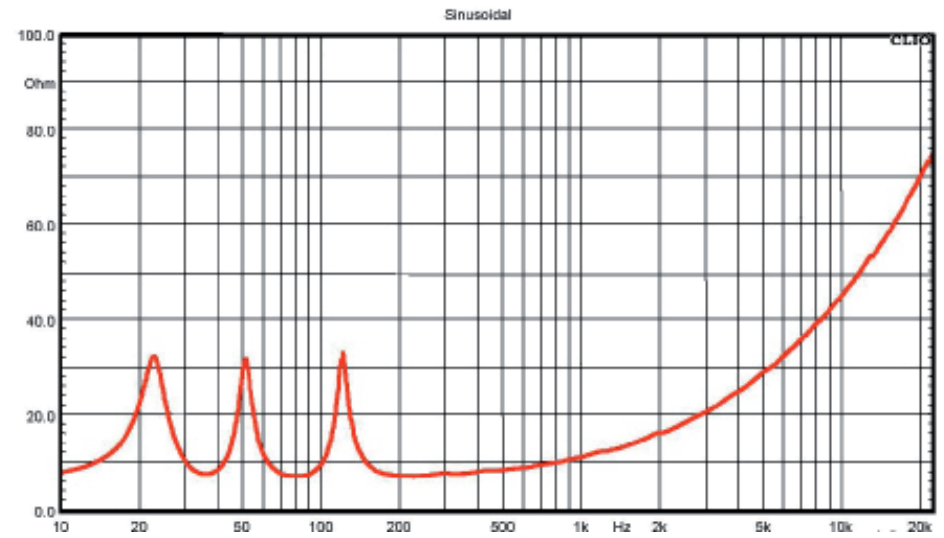
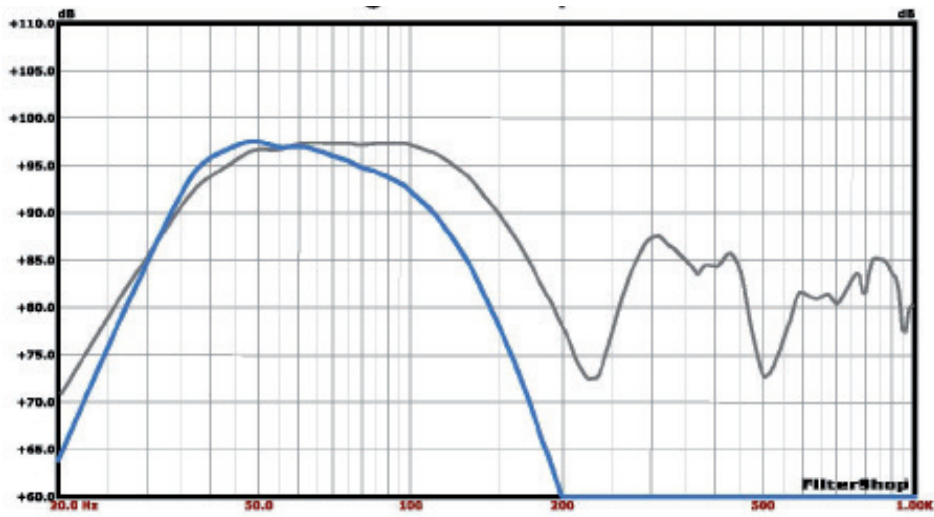
## KEY FEATURES

- > It's recommended to well damping the cabinet interior
- > High density dampening material such as Polyester fiber, Polyurethane foam or other synthetic fibers is required for eliminating high order internal resonances and then to obtain better performance

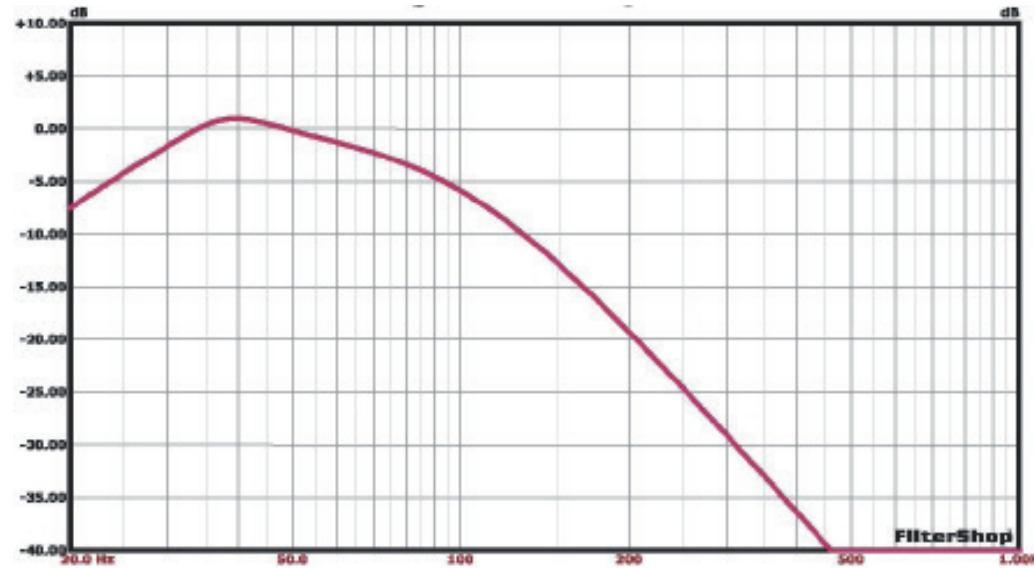


INTERNAL VIEW

# MEASUREMENTS: MAGNITUDE RESPONSE



# DSP PROCESSING GUIDELINES



PROCESSOR SETTING RESPONSE

## NECESSARY PROCESSOR SETTINGS WITH 12LW1400 LOUDSPEAKER

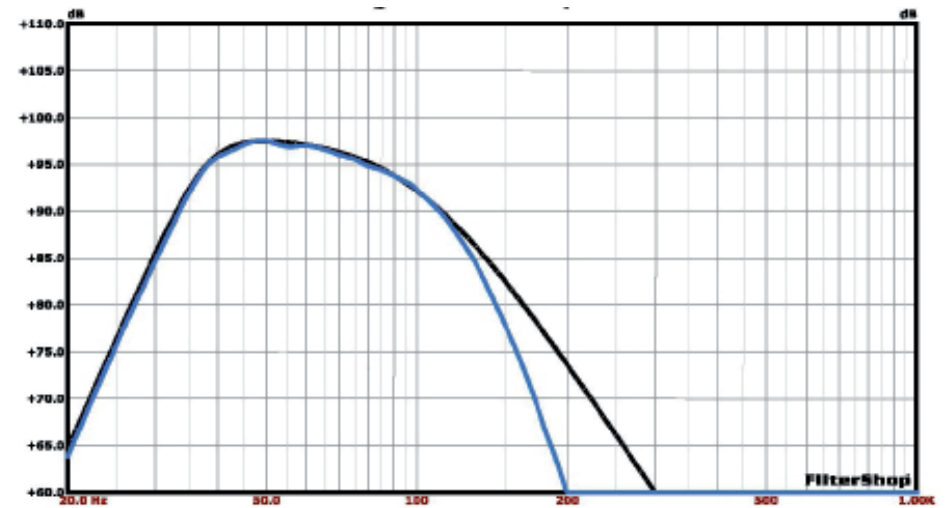
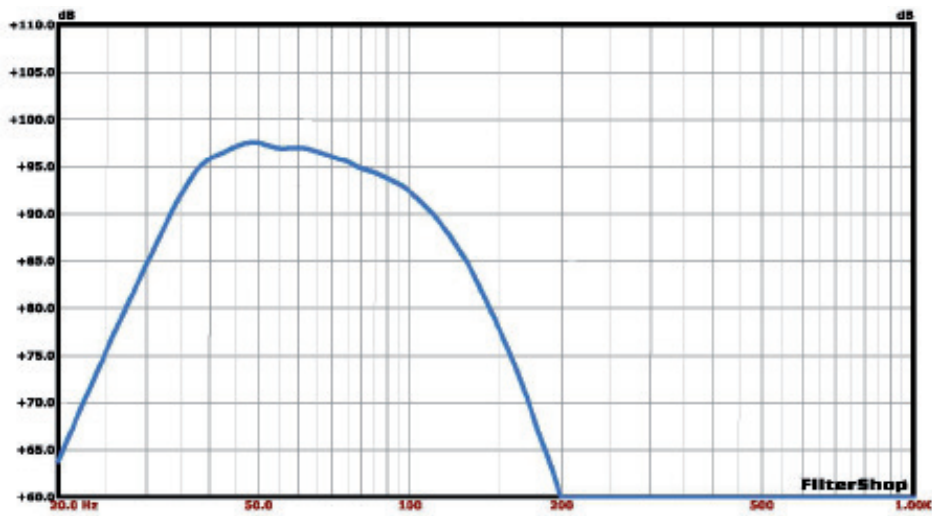
- > High pass: Butterworth 2nd order, 12dB/Oct @ 30 Hz
- > Parametric EQ Eq1: F= 38 Hz - Gain= +3 dB - Q= 2.0
- > Low pass: Butterworth 3th order, 18dB/Oct @ 100 Hz
- > Polarity: Positive (+)
- > Limiter: @ +9dBu, 100ms Atk. Time, X4 Release Time
- > Output Gain: 0 dB

Processing Parameters Referred to XTA DP224/DP226/DP448 Processors

Required Amplifier for proper driving, approx.: 1500W @ 8 Ohm, with Gain = 32dB

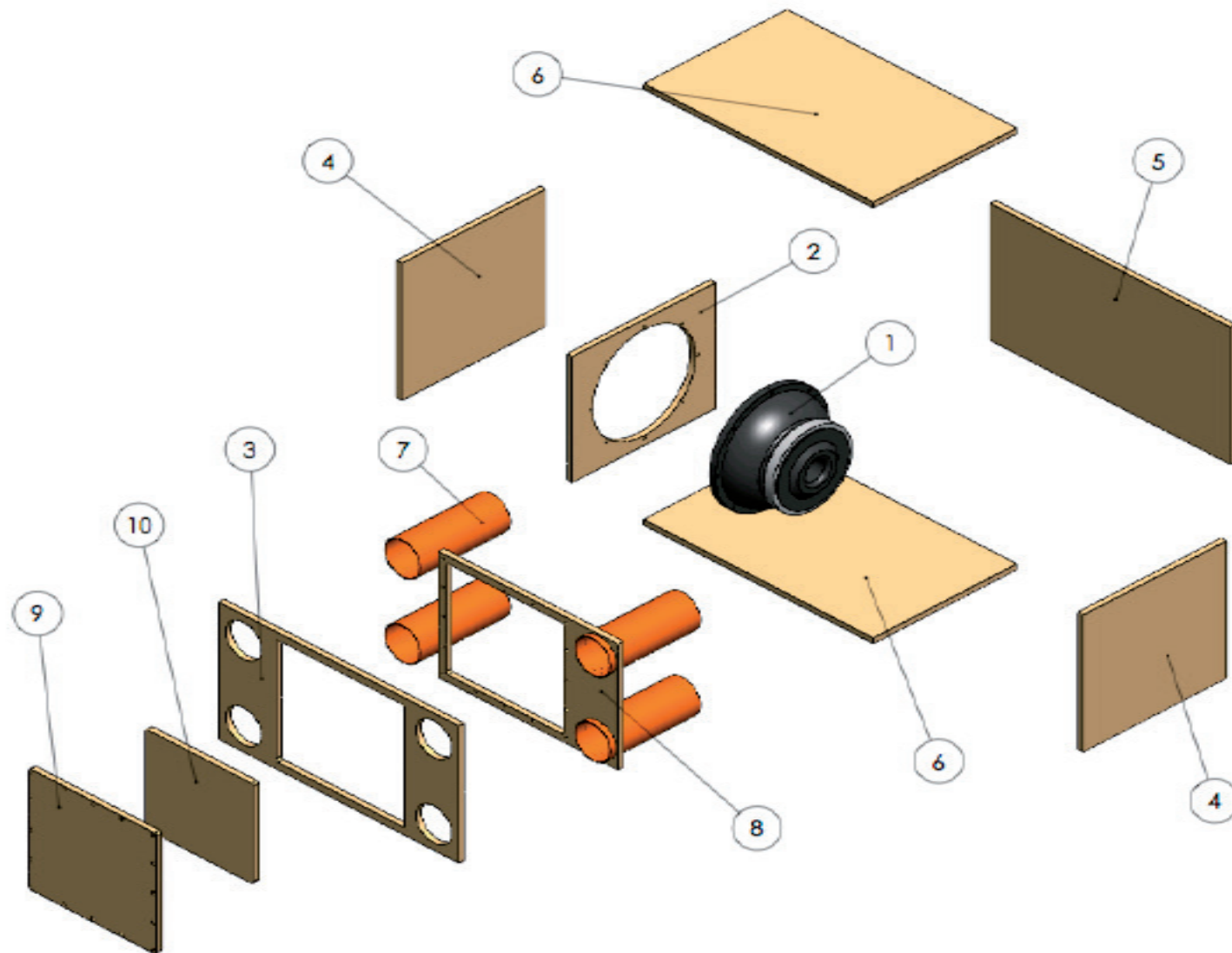
Gain and Limiter Values need to be properly adjusted if different gain amplifier is being used

# MEASUREMENTS: FREQUENCY RESPONSE

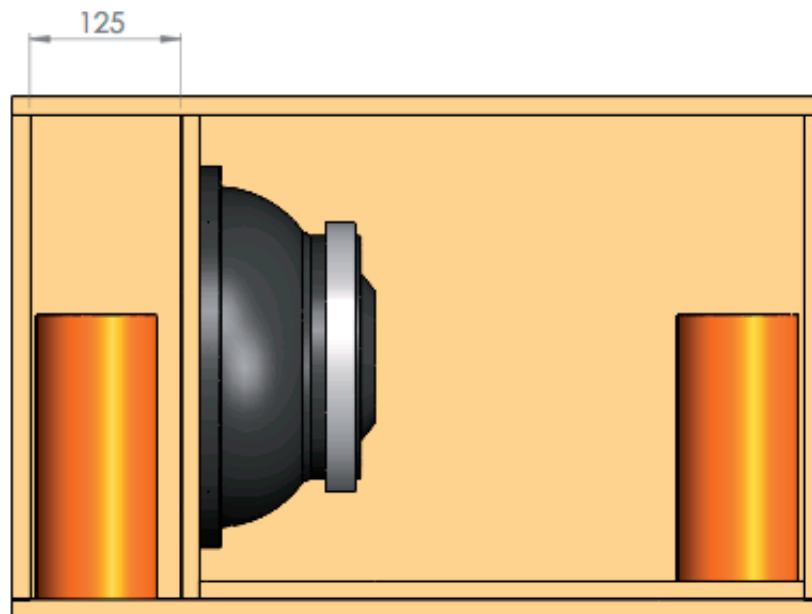




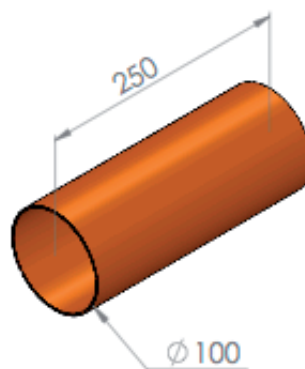
# EXPLODED VIEW



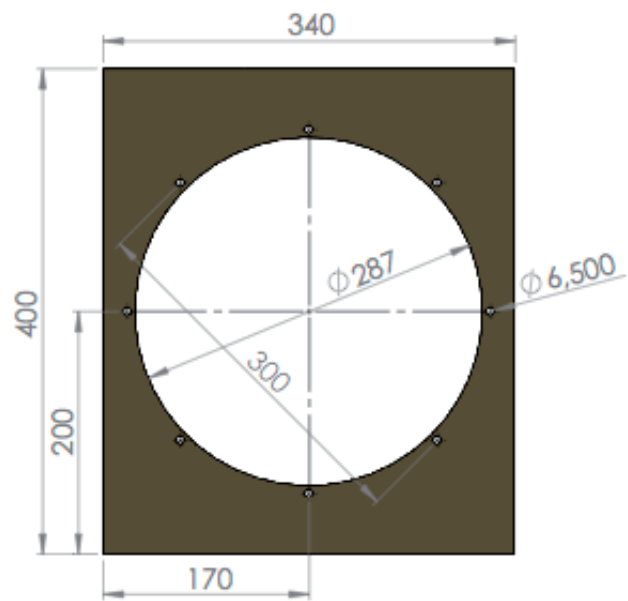
# INTERNAL VIEW AND DETAIL



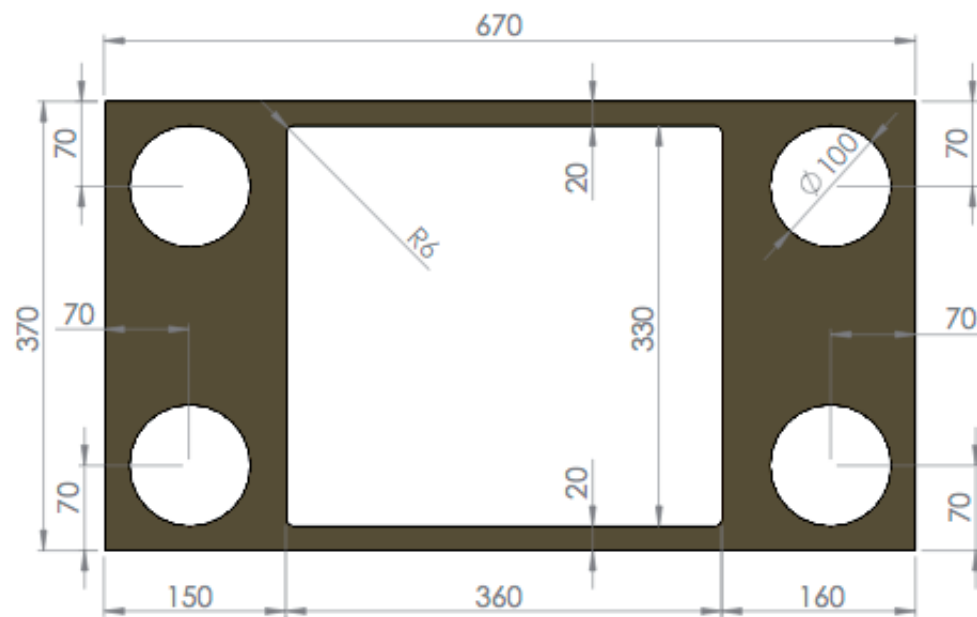
PIPE (PART 7)



# PART DETAILS

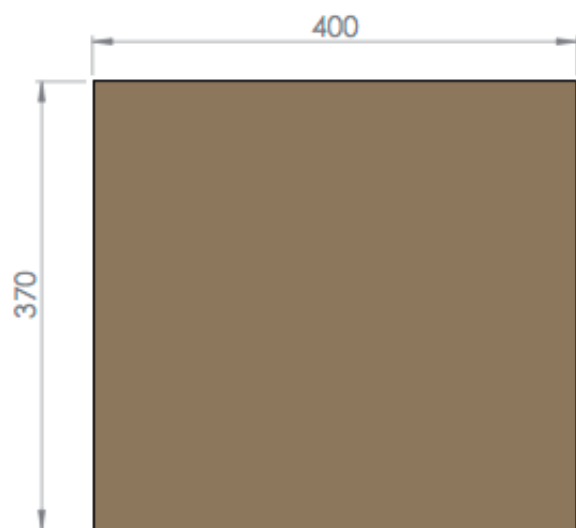


PART 2



PART 3

# PART DETAILS

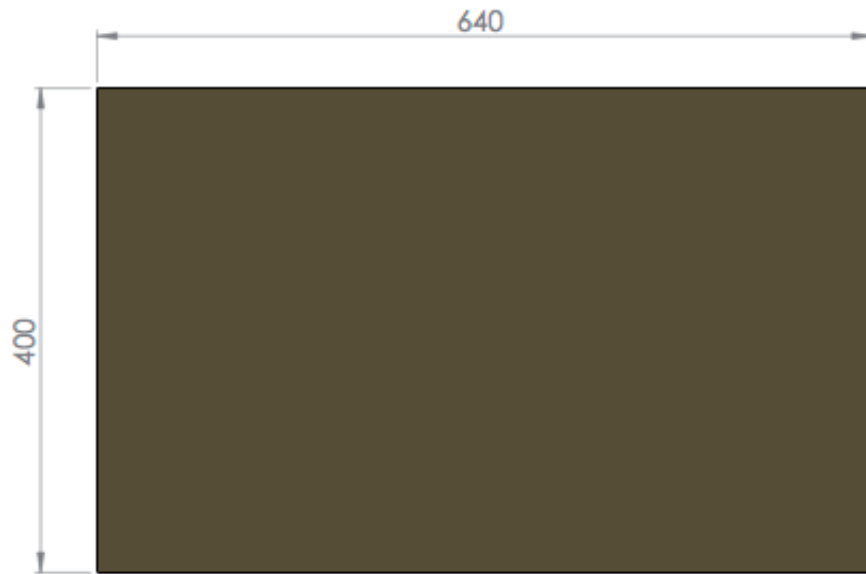


PART 4

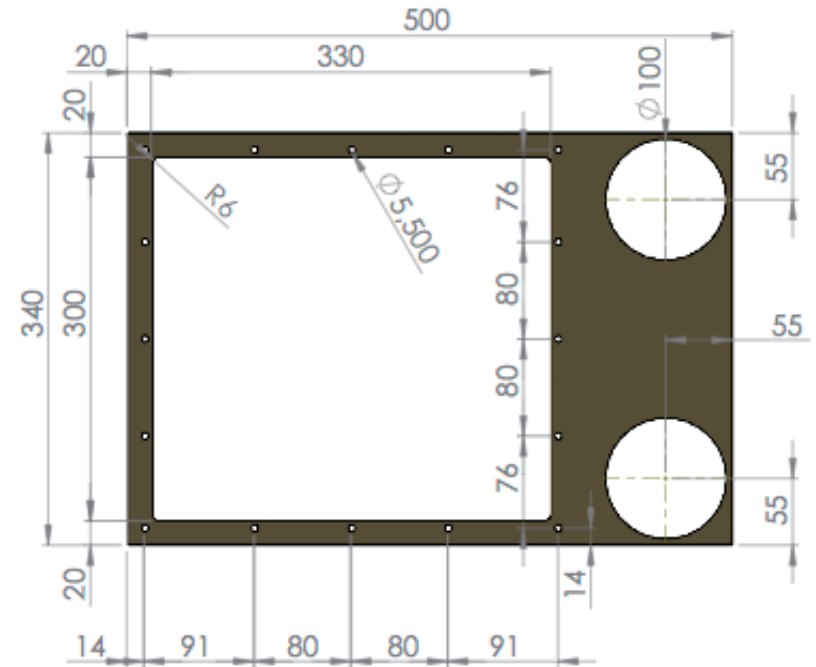


PART 5

# PART DETAILS

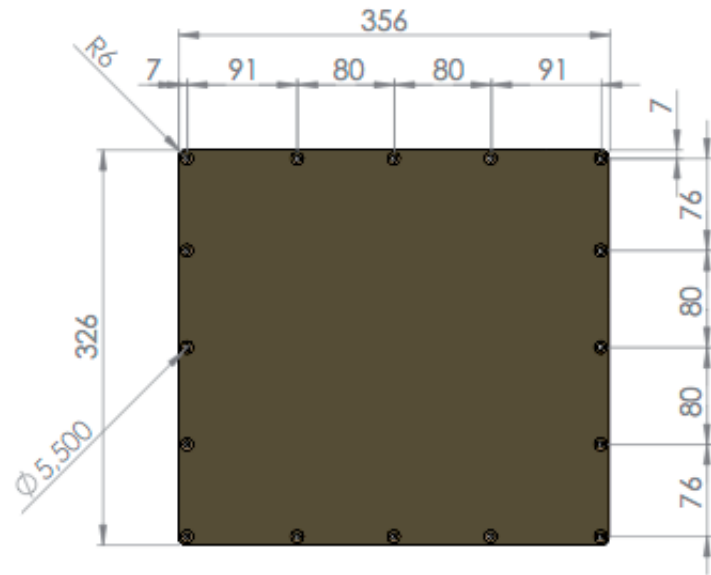


PART 6

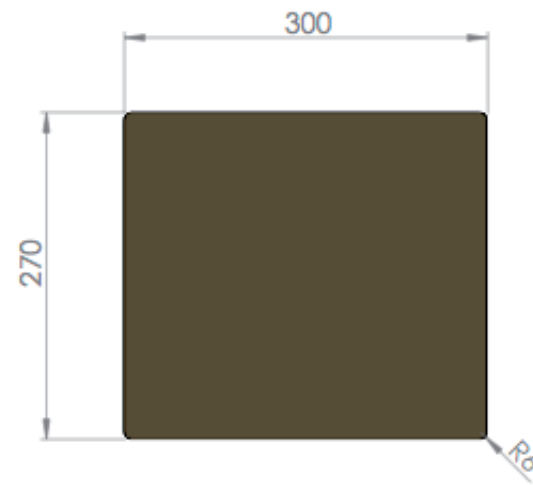


PART 8

# PART DETAILS



PART 9



PART 10

**EIGHTEEN SOUND**  
via Botticelli 8 | 42124 - Mancasale (RE) | Italy  
ph. +39 0522 1861800 | fax. +39 0522 1861801  
info@eighteensound.com | www.eighteensound.com

